



EZ-Tri Classic

Supplemental Owner's Manual



CONGRATULATIONS!

Congratulations and welcome to the Sun Seeker Recumbent family! You have selected one of the most comfortable and advanced recumbents on the market. Please read this manual before riding your Sun Seeker Recumbent. In this manual you will find that we cover the basics for setting up and understanding your new recumbent.

IMPORTANT:

This manual is only a supplement to the main Recumbent Bicycle/Tricycle Owner's Manual.
Read it before you take the first ride on your new recumbent bicycle/tricycle, and keep it for reference.

NOTE:

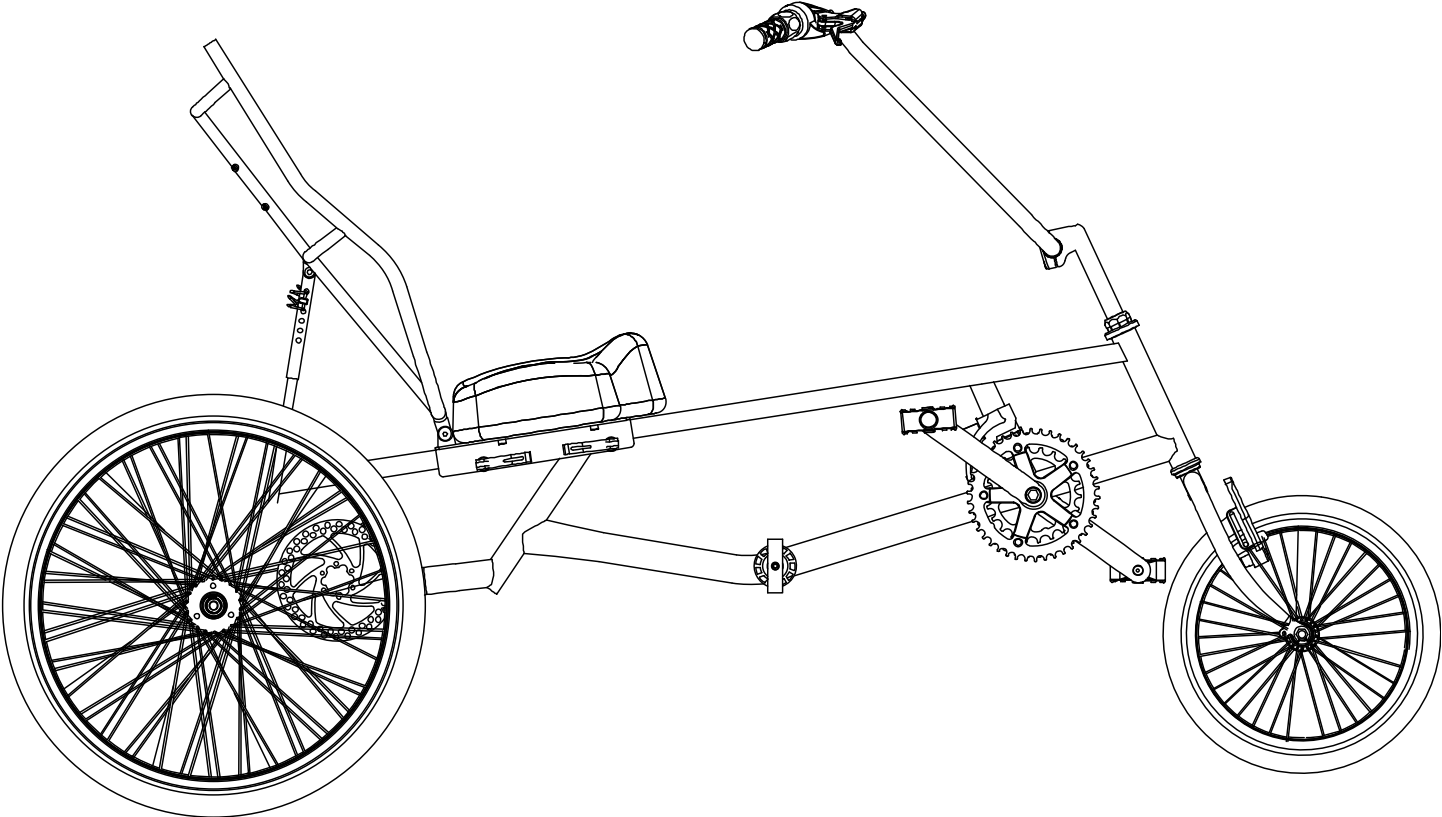
This manual is not intended as a comprehensive use, service, repair or maintenance manual. Please see your dealer for all service, repairs or maintenance. Your dealer may also be able to refer you to classes, clinics or books on bicycle use, service, repair or maintenance.

EZ-Tri Classic Specifications

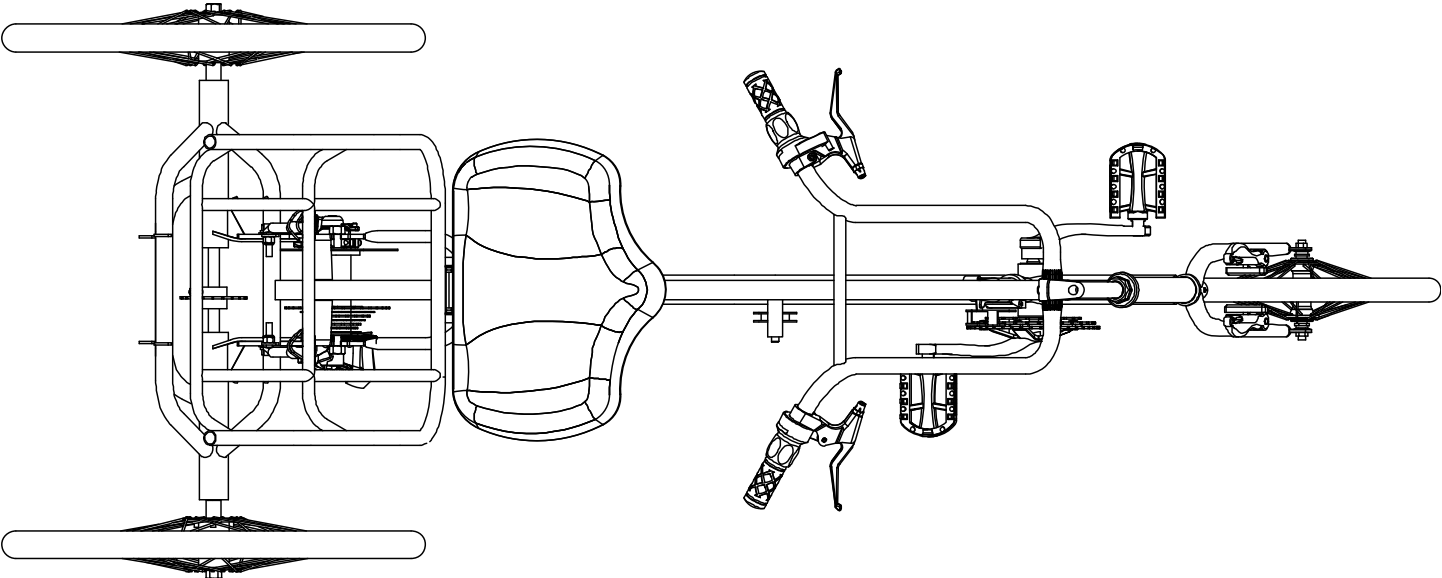
| | |
|----------------------------------|--|
| Model: | EZ-Tri Classic SX |
| Style: | Delta Trike |
| Frame Material: | Hi-Ten Steel |
| Fork Material: | Hi-Ten Steel |
| Handlebar Material: | Steel |
| Steering System: | Over Seat |
| Seat Type: | 2-piece - Padded Base w/Adjustable Steel Frame & Mesh Back |
| Wheelbase: | 56-1/2" (143 cm) |
| Overall Length: | 73" (185 cm) |
| Width: | 30-1/2" (77.5cm) |
| Seat Height: | 22" (56 cm) |
| Weight: | 56 lbs. |
| X-Seam : | 32" - 48" (81-122cm) |
| Weight Limit: | 300 lbs. |
| Gear Inch Range: | 29" – 65" |
| Headset: | Threaded Steel |
| Drive Type: | Mid-Drive 21-speed Derailleur |
| Pedals Type: | Toe Clip Compatible |
| Crankset: | Triple Alloy 170mm 48-38-28t |
| Bottom Bracket: | Square Taper |
| Chain Type: | KMC Z-51 |
| Front Derailleur: | Microshift |
| Rear Derailleur: | Shimano |
| FW/Cassette Range: | 7-speed 14-28t |
| Shifters Set: | SRAM Twist |
| Brake Levers: | Promax Locking Linear Pull |
| Brake Caliper Front/Rear: | Promax Linear Pull / Mechanical Disc |
| Rims / Spokes: | Alloy Single Wall / Stainless Steel |
| Tires / Size: | Kenda Kwest 20x1.50" 40-65psi |
| Water Bottle Cage Mounts: | 2-Handlebar / 2-Seat Back |

EZ-Tri Classic Reference Views

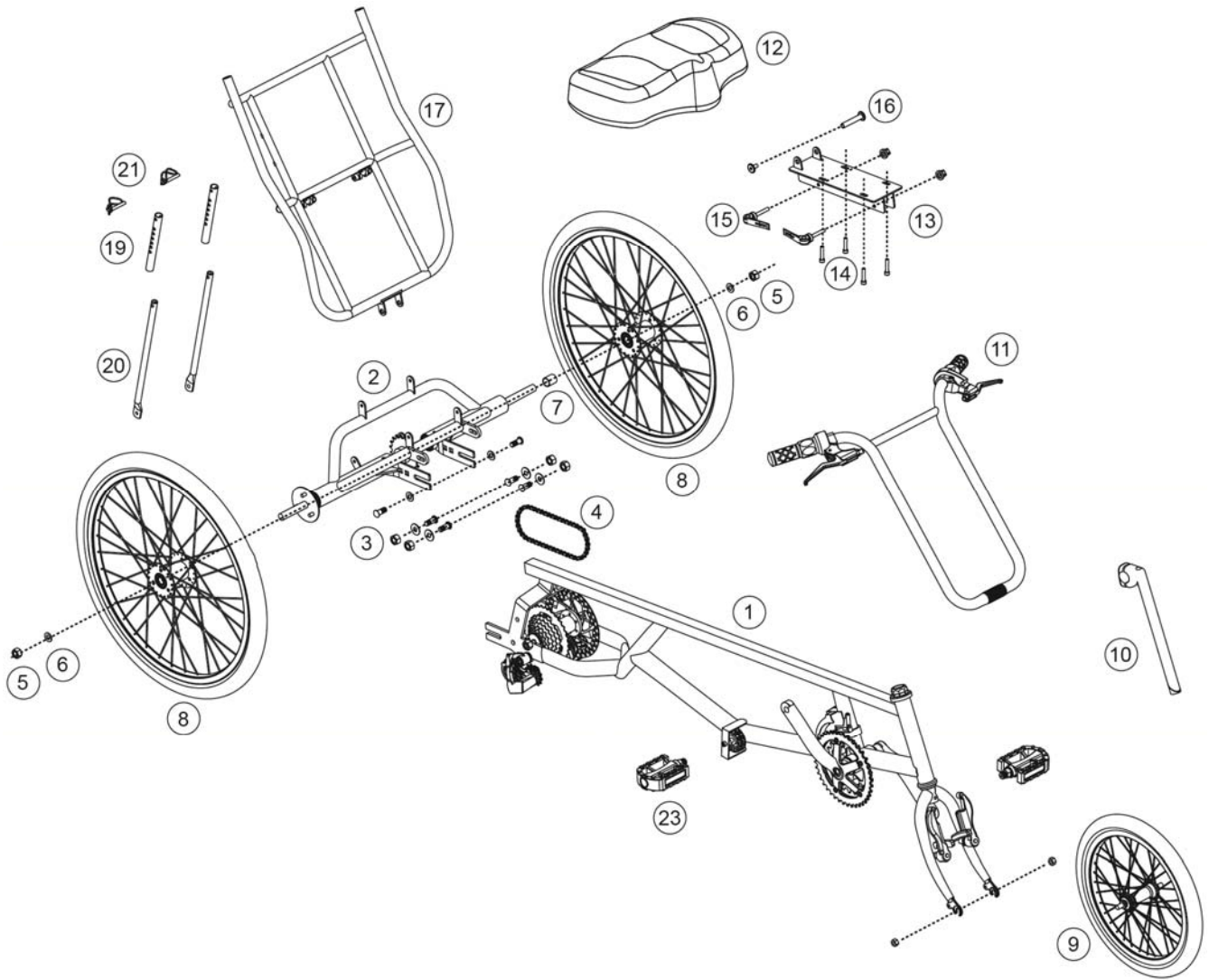
Side View



Top View



EZ-Tri Classic Assembly Reference

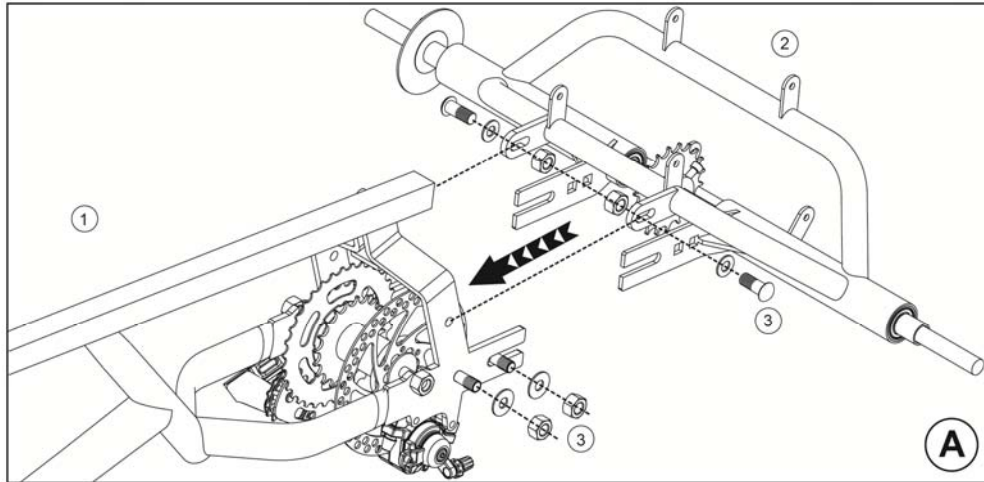


| EZ-Tri Classic PARTS LIST | | |
|---------------------------|--|--------|
| ITEM | DESCRIPTION | QTY |
| 1 | Main Frame Assembly | 1 |
| 2 | Rear Unit Assembly | 1 |
| 3 | Rear Unit Hardware Set (4x carriage bolts, nuts & washers / 2x Allen head bolts, nuts & washers) | 1 set |
| 4 | Drive Chain | 1 |
| 5 | Rear Wheel Nylock Retaining Nut (M14) | 2 |
| 6 | Rear Wheel Washer (M15x2mm) | 2 |
| 7 | Rear Wheel Spacer (Alloy 23mm) | 1 |
| 8 | Rear Wheel Assembly | 2 |
| 9 | Front Wheel Assembly | 1 |
| 10 | Handlebar Stem | 1 |
| 11 | Handlebar Assembly | 1 |
| 12 | Saddle | 1 |
| 13 | Seat Mount | 1 |
| 14 | Seat Mount Hardware Set (4x bolts & washers) | 1 set |
| 15 | Quick Release Seat Pins (M6x65mm) | 2 |
| 16 | Seat Back Pivot Bolt | 1 |
| 17 | Seat Back Frame | 1 |
| 18 | Seat Mesh (Not Pictured) | 1 |
| 19 | Upper Seat Strut (5/8" x 150mm) | 2 |
| 20 | Lower Seat Strut (1/2" x 300mm) | 2 |
| 21 | Seat Strut Pin | 2 |
| 22 | Seat Strut Hardware Set (2x upper bolts/nuts/washers, 4x 1/2 moon plastic washers, 2x lower bolts/nuts/washers) (Not Pictured) | 1 set |
| 23 | Pedals (9/16") | 1 pair |

Assembly Guide

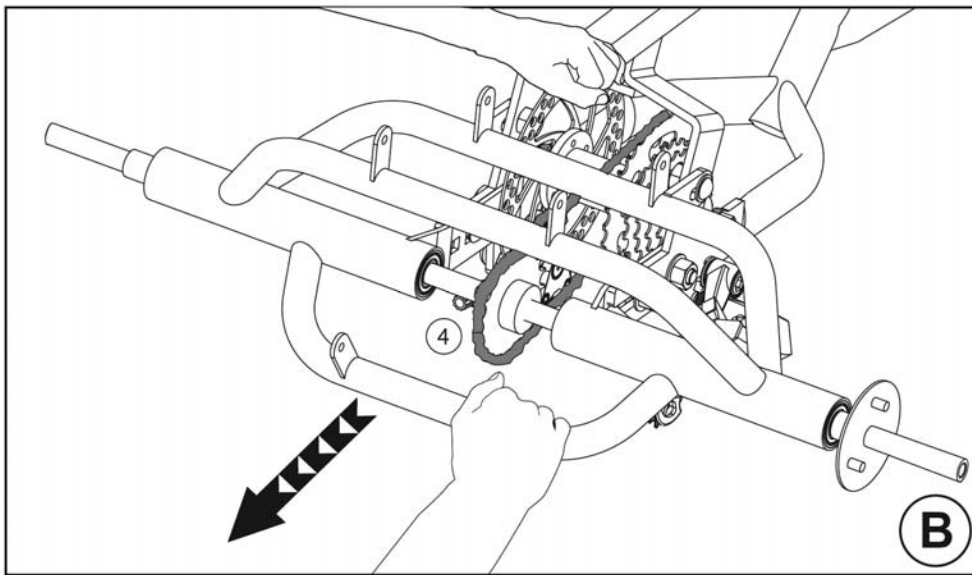
Rear Unit Installation

Loosely install #2 Rear Unit Assembly onto #1 Main frame Assembly using #3 Rear Unit Hardware. See Figure A.



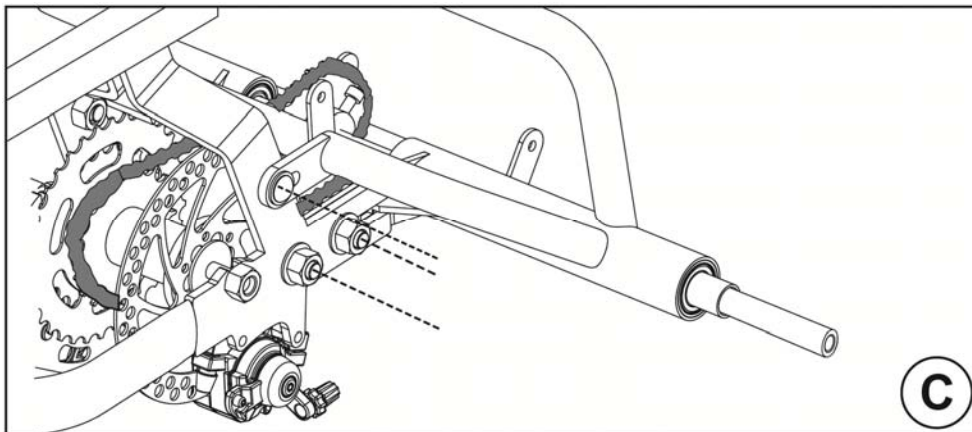
Chain Installation

Install #4 Drive Chain onto rear axle drive sprocket and mid drive fixed sprocket. After installed, pull back #2 Rear Unit Assembly to remove slack in the #4 Drive Chain. See Figure B.



Final Tightening of Rear Unit

Tighten #3 Rear Unit Hardware to 18-20 Nm (160-175 in. lbs.) See Figure C.

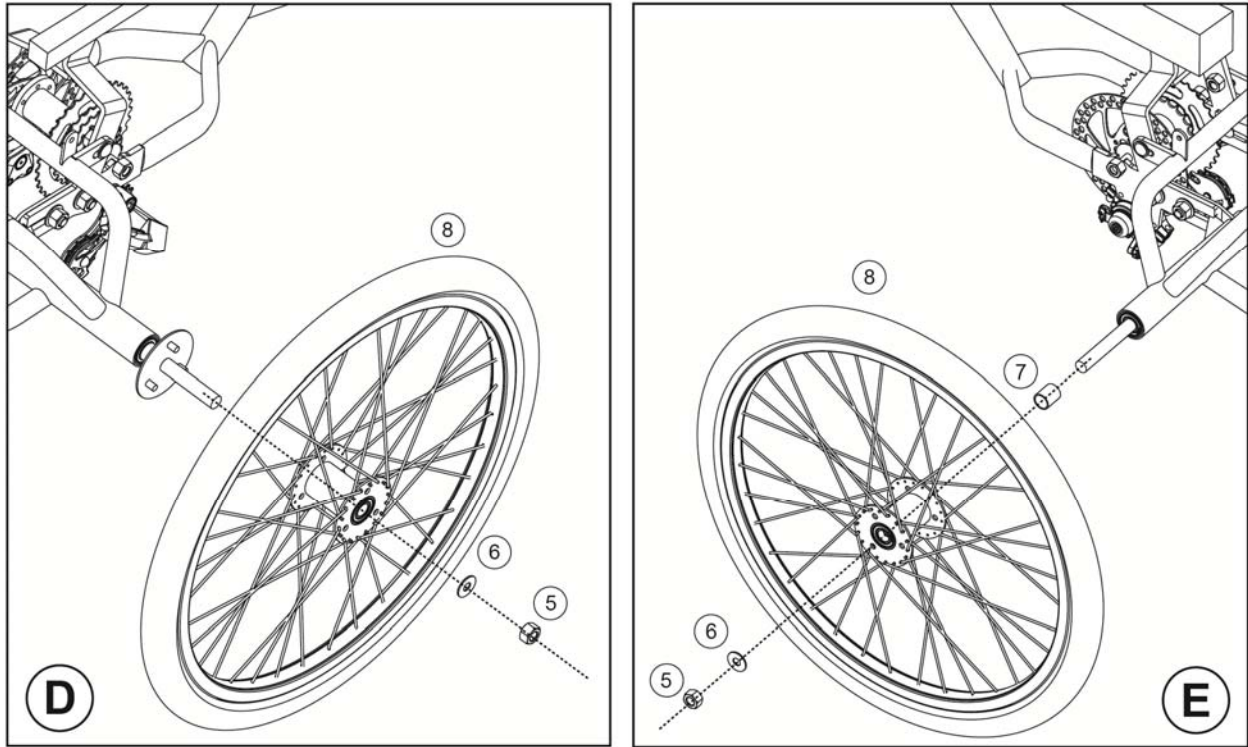


Rear Wheel Installation

Assemble #8 Rear Wheel Assembly, #6 Rear Wheel Washer and #5 Rear Wheel Nylock Retaining Nut onto right side (drive side) rear axle. See Figure D.

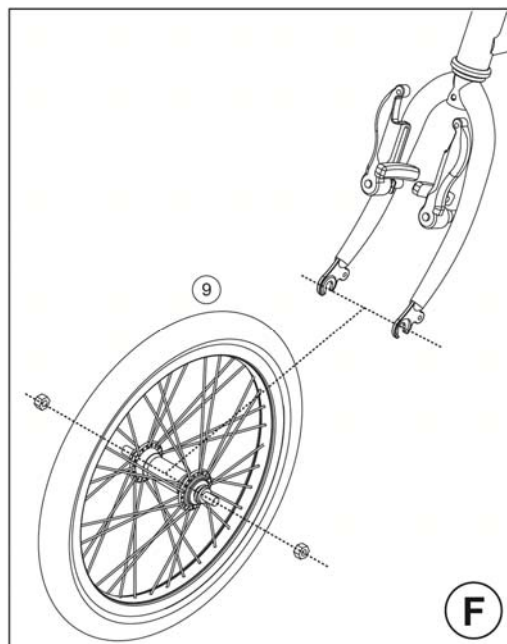
Assemble #7 Rear Wheel Spacer, #8 Rear Wheel Assembly, #6 Rear Wheel Washer and #5 Rear Wheel Nylock Retaining Nut onto left side (non drive side) rear axle. See Figure E.

NOTE: DO NOT OVER TIGHTEN the #5 Rear Wheel Nylock Retaining Nut on the LEFT side (non drive side). The nut should be tightened then backed off ½ turn to leave approximately 1 to 2mm of side play.



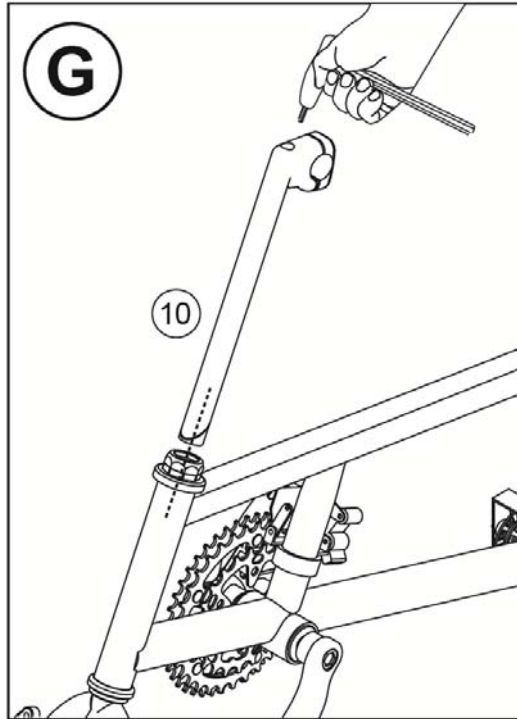
Front Wheel Installation

Insert #9 Front Wheel Assembly into the fork drop outs. See Figure F.



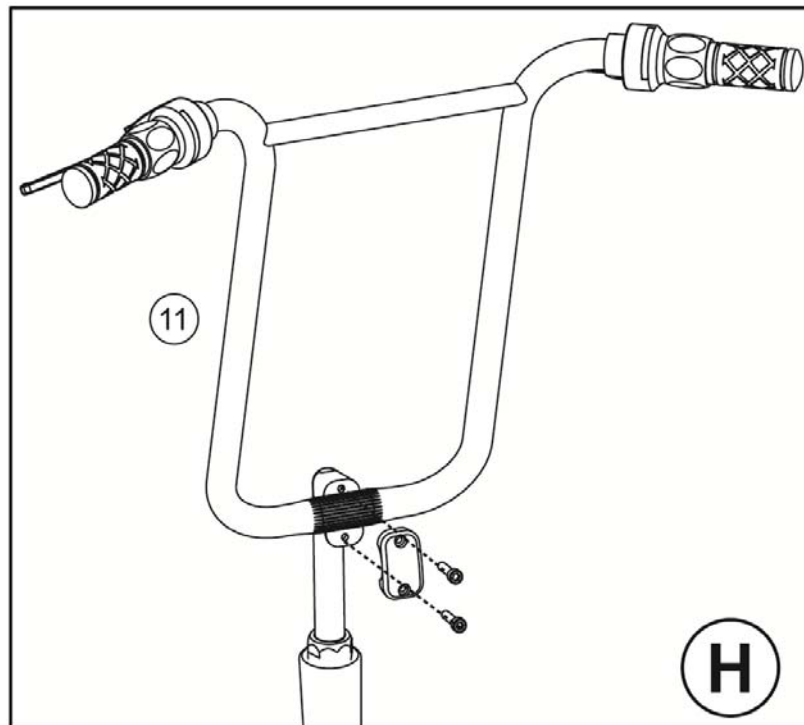
Handlebar Stem Installation

Install #10 Handlebar Stem into fork. See Figure G.



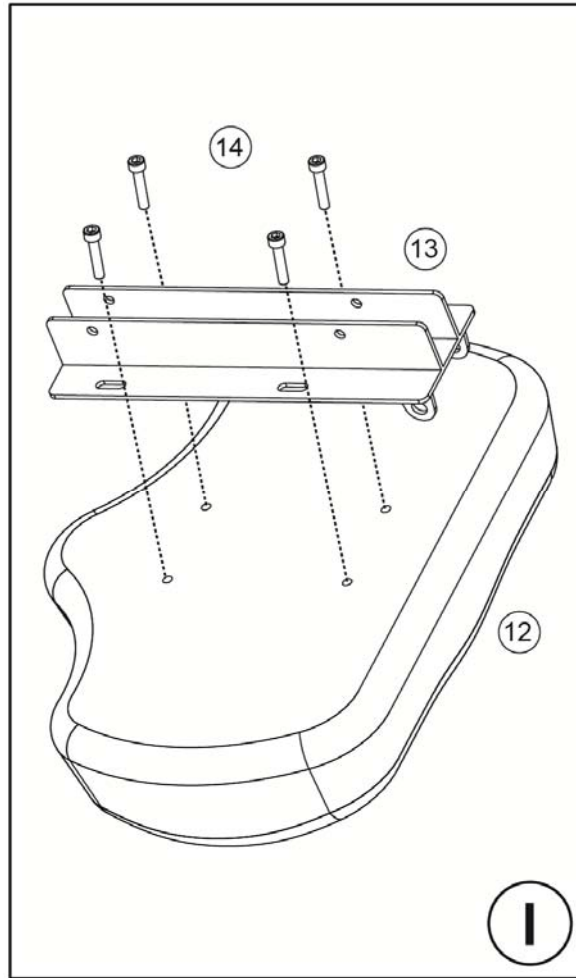
Handlebar Assembly Installation

Install #11 Handlebar Assembly onto #10 Handlebar Stem. See Figure H.

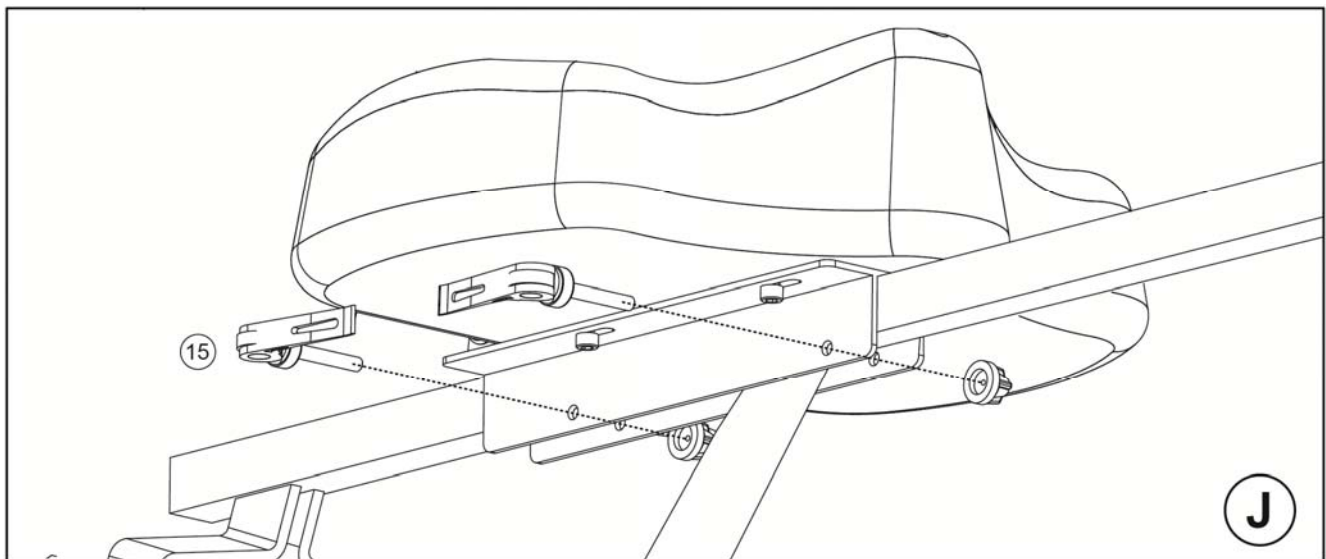


Seat Assembly and Installation

Install #13 Seat Mount onto #12 Saddle and secure with #14 Seat Mount Hardware. See Figure I.

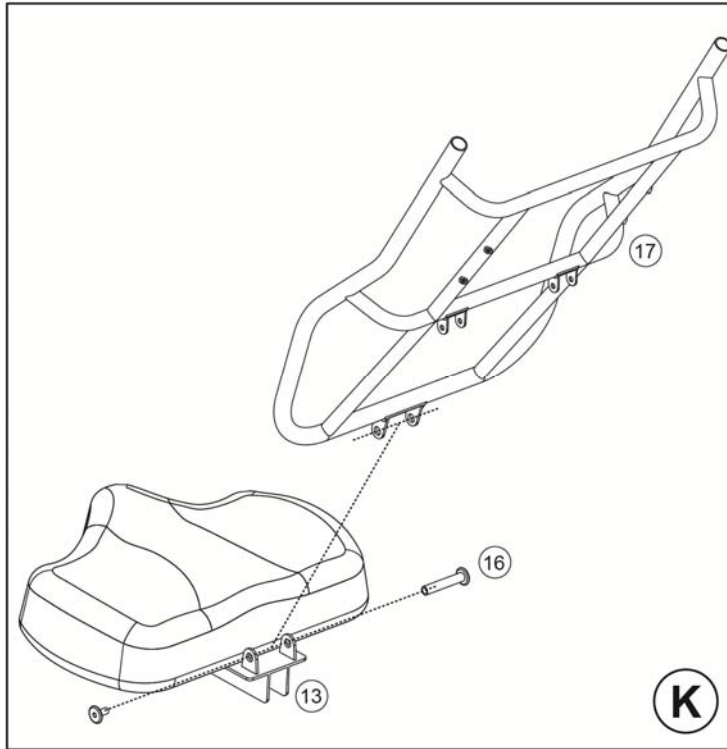


Install Saddle with Seat Mount onto the #1 Main Frame Assembly and secure with #15 Quick Release Seat Pins. See Figure J.



Seat Assembly and Installation (continued)

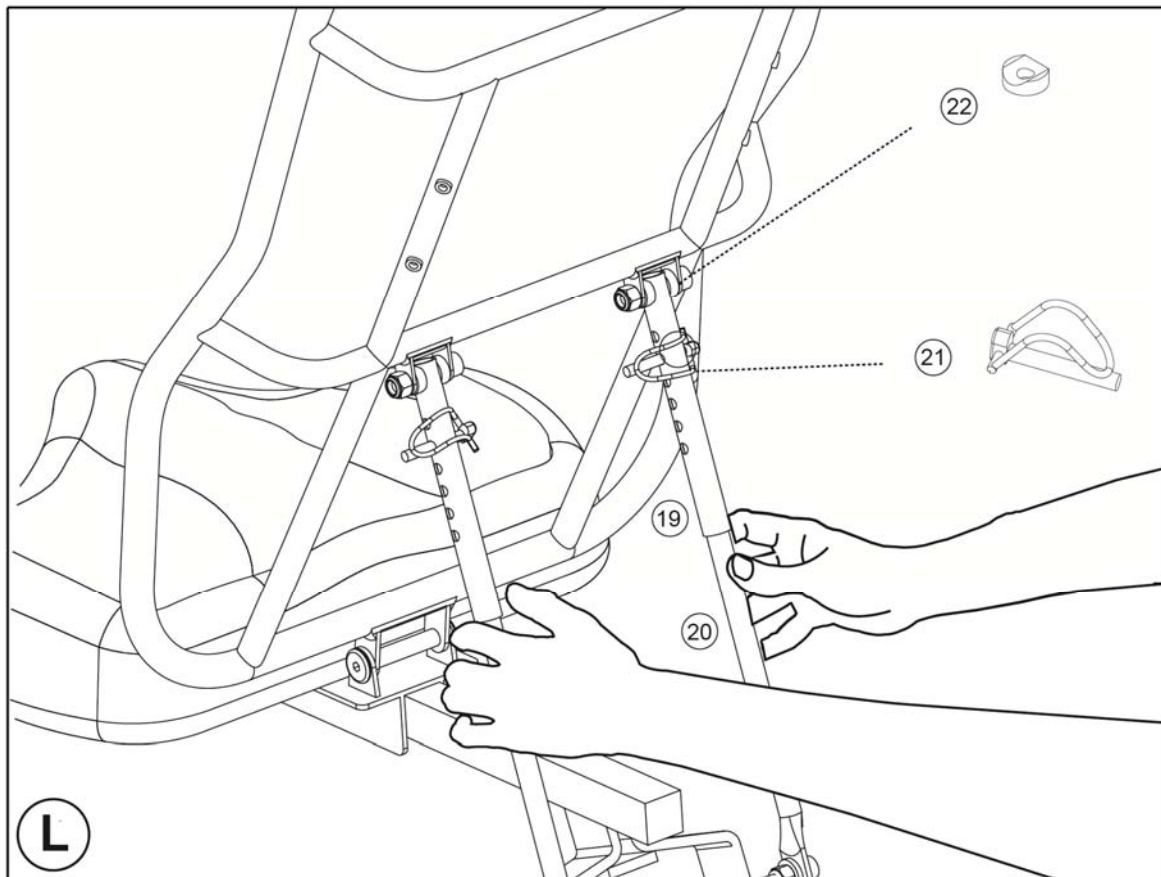
Install #17 Seat Back Frame onto #13 Seat Mount and secure with #16 Seat Back Pivot Bolt. See Figure K.



Install two (2) #19 Upper Seat Struts and ½ moon washers into the rear tabs on the #17 Seat Back Frame using the provided hardware. See Figure L.

Install two (2) #20 Lower Seat Struts into the upper tabs on the #2 Rear Unit Assembly using the provided hardware. See Figure L.

Insert the lower struts into the upper struts and use two (2) #21 Strut Pins to secure the struts. See Figure L.



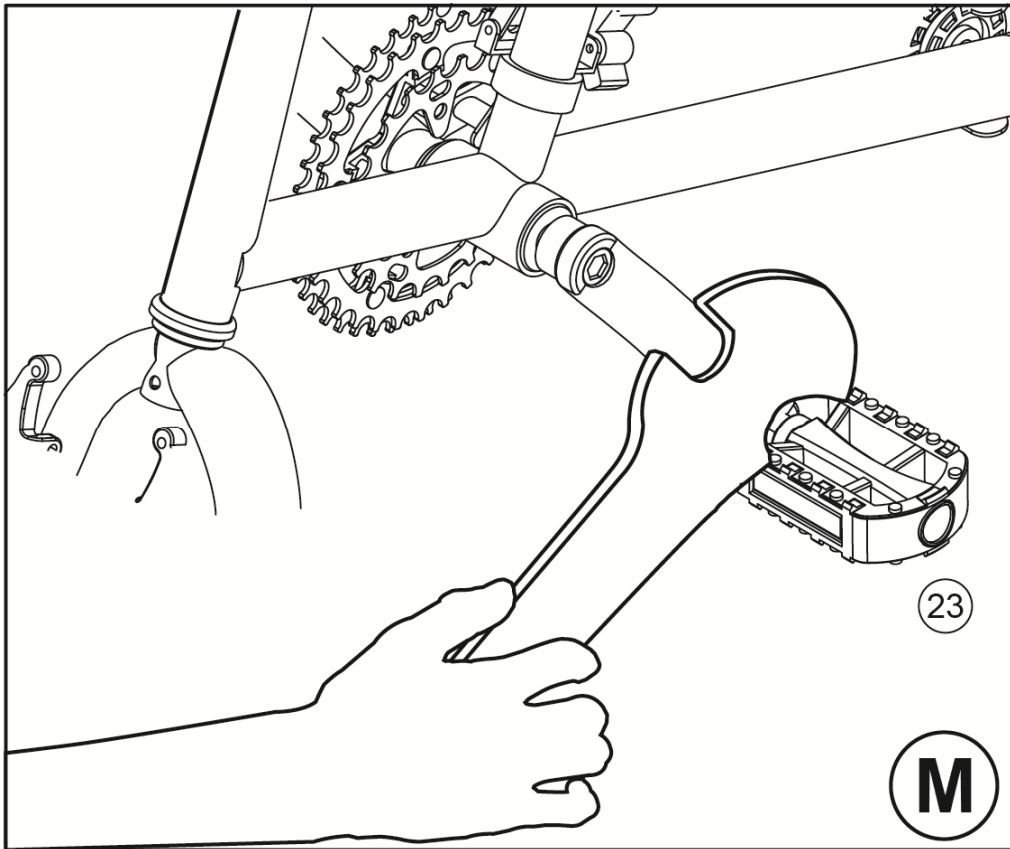
Pedal Installation

Apply grease to the threads of the #23 Pedals. This will protect both the threads of the pedal and the crank arm over time. Use pedal washers where required.

Using your hands, thread the #23 Pedals (marked for L or R) into the respective left or right crank arms by turning them toward the front of the bike.

Once the threads catch, use your pedal wrench to finish tightening down the pedals. See Figure M.

Tighten the pedals to a minimum of 300 in-lbs. of torque.

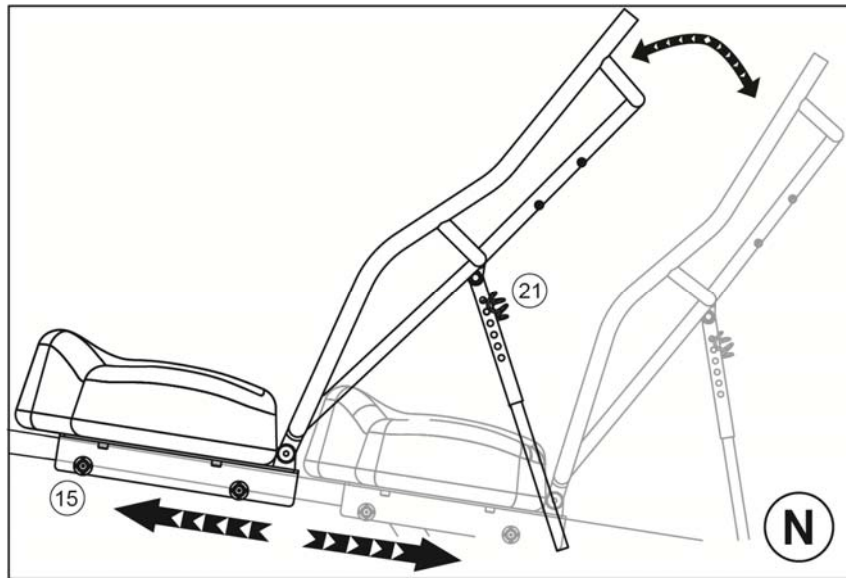


Seat Adjustment

Loosen the #15 Quick Release Seat Pins and slide the #13 Seat Mount rearward on the #1 Main Frame until in a comfortable seating position. Adjust the seat angle by removing and reinstalling the #21 Seat Strut Pins into a new position on the Seat Struts if necessary. See Figure N.

Position the Saddle so that when seated, your knee is slightly bent when the forward foot is in the farthest pedal position.

If you cannot extend your leg forward enough you can move the Saddle forward to get the proper fit. Adjust Seat Back Frame for comfort.



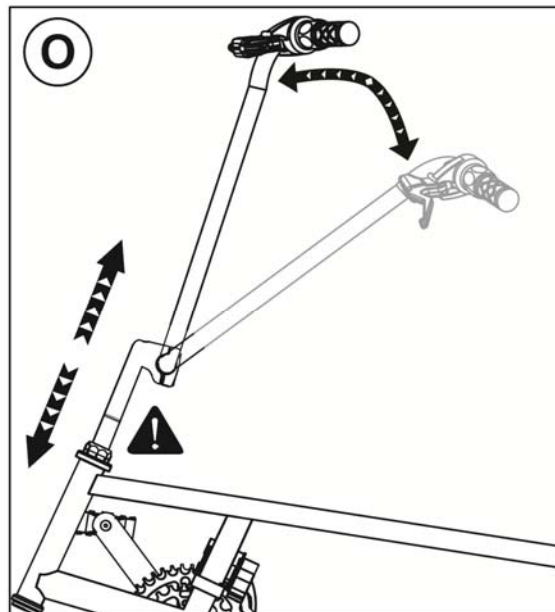
Handlebar Adjustment

#10 Handlebar Stem height can be adjusted to provide desired toe clearance during pedal stroke. See Figure O.

NOTE: DO NOT extend handlebar stem past its marked safety line.

#11 Handlebar Assembly can be rotated up or down for desired comfort. To prevent numbness of the hands or fingers be sure to keep your hand position just below the level of your heart while seated.

Once handlebar position is set you can now adjust the brake and shift controls for comfort.



WARNING: Make sure once you have made all your handlebar, stem and control adjustments that you do not have any leg or knee interference with the handlebar or stem. Failure to do so may result in loss of control resulting in a serious or fatal accident.

Sun Seeker Bicycles
PO Box 161859, Miami, FL 33116-1859
info@sunseeker.bike